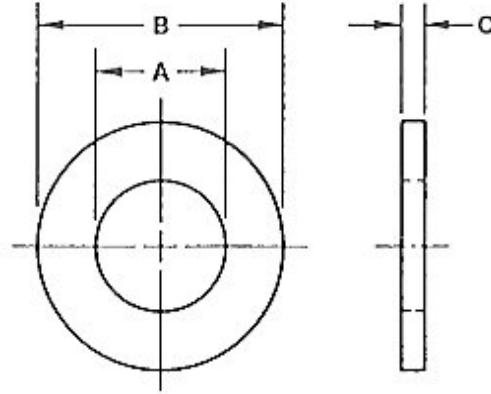


## IMPERIAL & METRIC SIZES



DIMENSION OF PLAIN WASHERS in mm.

ISO 7089-DIN 125-ex UNI 6592 ASME B18.22.1						Heavy washers as per F436							
Nom.	Size	A	B	C	Weight	A	B	THICK' C		Extra Thick' C		Weight	
								Min	Max	Min	Max	Thick	Extra Thick
M6	1/4"	6.4	12.5	1.6	0.0011	7.14	15.88	1.30	2.03	-	-	0.0025	-
M7	-	7.4	14	1.6	0.0014	-	-	-	-	-	-	-	-
M8	5/16"	8.4	17	1.6	0.0022	8.74	17.48	1.30	2.03	-	-	0.0029	-
M10	3/8"	10.5	21	2	0.0041	10.31	20.65	1.30	2.03	-	-	0.0040	-
M12	7/16"	13	24	2.5	0.0063	11.91	23.42	1.30	2.03	-	-	0.0051	-
M14	1/2"	15	28	2.5	0.0086	13.49	27.00	2.46	4.50	7.75	9.53	0.0152	0.0323
M16	9/16"	17	30	3	0.0113	15.88	30.18	2.79	4.50	7.75	9.53	0.0184	0.0389
M16	5/8"	17	30	3	0.0113	17.48	33.35	3.10	4.50	7.75	9.53	0.0225	0.0476
M18	-	19	34	3	0.0147	-	-	-	-	-	-	-	-
M20	3/4"	21	37	3	0.0172	20.65	37.29	3.10	4.50	7.75	9.53	0.0269	0.0569
M22	7/8"	23	39	3	0.0183	23.83	44.45	3.45	4.50	7.75	9.53	0.0393	0.0832
M24	-	25	44	4	0.0323	-	-	-	-	-	-	-	-
M27	1"	28	50	4	0.0423	27.00	50.80	3.45	4.50	7.75	9.53	0.0516	0.1093
M30	1 1/8"	31	56	4	0.0536	30.18	57.15	3.45	4.50	7.75	9.53	0.0657	0.1391
M33	1 1/4"	34	60	5	0.0753	34.93	63.50	3.45	4.50	7.75	9.53	0.0784	0.1661
M36	1 3/8"	37	66	5	0.0921	38.10	69.85	3.45	4.50	7.75	9.53	0.0955	0.2024
M39	1 1/2"	40	72	6	0.133	41.28	76.20	3.45	4.50	7.75	9.53	0.1144	0.2423
M42	1 5/8"	43	78	7	0.183	-	-	-	-	-	-	-	-
M45	1 3/4"	46	85	7	0.220	47.63	85.73	4.52	7.11	7.75	9.53	0.2240	0.3000
M48	1 7/8"	50	92	8	0.294	-	-	-	-	-	-	-	-
M52	2	54	98	8	0.330	53.98	95.25	4.52	7.11	7.75	9.53	0.2716	0.3637
M56	2 1/4"	58	105	9	0.425	60.33	101.60	6.10	8.64	7.75	9.53	0.3579	0.3947
M60	-	62	110	9	0.458	-	-	-	-	-	-	-	-
M64	2 1/2"	66	115	9	0.492	66.68	114.30	6.10	8.64	7.95	9.53	0.4615	0.5090
M68	-	70	120	10	0.586	-	-	-	-	-	-	-	-
M72	2 3/4"	74	125	10	0.626	73.03	127.00	6.10	8.64	7.95	9.53	0.5781	0.6376
M76	3"	78	135	10	0.749	79.38	139.70	6.10	8.64	7.95	9.53	0.7076	0.7805
M80	-	82	140	12	0.953	-	-	-	-	-	-	-	-
M85	3 1/4"	88	140	12	0.983	85.73	152.40	6.10	8.64	7.95	9.53	0.8501	0.9376
M90	3 1/2"	93	160	12	1.250	92.08	165.10	6.10	8.64	7.95	9.53	1.0056	1.1091
M95	3 3/4"	99	165	12	1.290	98.43	177.80	6.10	8.64	7.95	9.53	1.1740	1.2948
M100	4"	104	175	14	1.710	104.78	190.50	6.10	8.64	7.95	9.53	1.3553	1.4948